

SP Series

UPS Cabinet



Battery Back-up Cabinets For SP-PD Series Traffic UPS Systems CBO-126, CBS-126, CBS-127, CBS-128 Style 3 Cabinet



Cabinet

CLARY UPS peripheral cabinets are manufactured to the highest standards. Clary enclosures provide a safe watertight environment for traffic control systems. All cabinets are fully ventilated and made to accept generator input. Clary cabinets are NEMA 3R rated and can be manufactured to Caltrans, TEES standards. Clary can deliver standard cabinets or can custom configure them to meet your individual specifications.

Standard Features

Cabinets:

- Manufactured from .125 thick 5052-H32 aluminum.
- Complete double flanged doorframe.
- Provisions for mounting forced air fan system with filtered input air.
- Stainless steel external hardware.
- Interior finish is anodize coating, Type II Per MIL-A-8625C

Doors:

- Stainless steel door lockable door handles.
- Louvered air vent with filter and bracket.
- Door sealed with neoprene gasket.

Finish:

Enclosures are available in various finishes:

- Natural Aluminum
- Anodized
- Stainless
- Powder Coat, various colors

Options:

- CBL-127/CBL-128 Corbin or Best Locks Option
- CBB-123 Base Skirt Option
- CBP-123 Cabinet Painting/Power Coat Option
- CBT-123 Thermal Options (Thermostat & Fan)

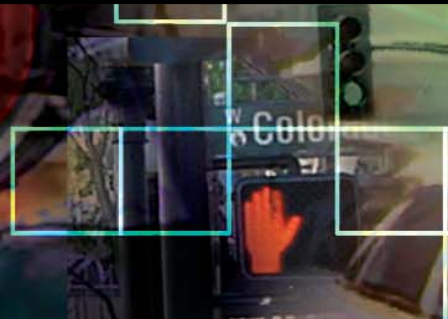


BBS Cabinets for Traffic Signal Applications

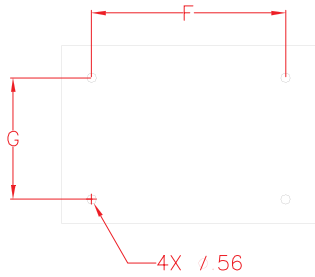
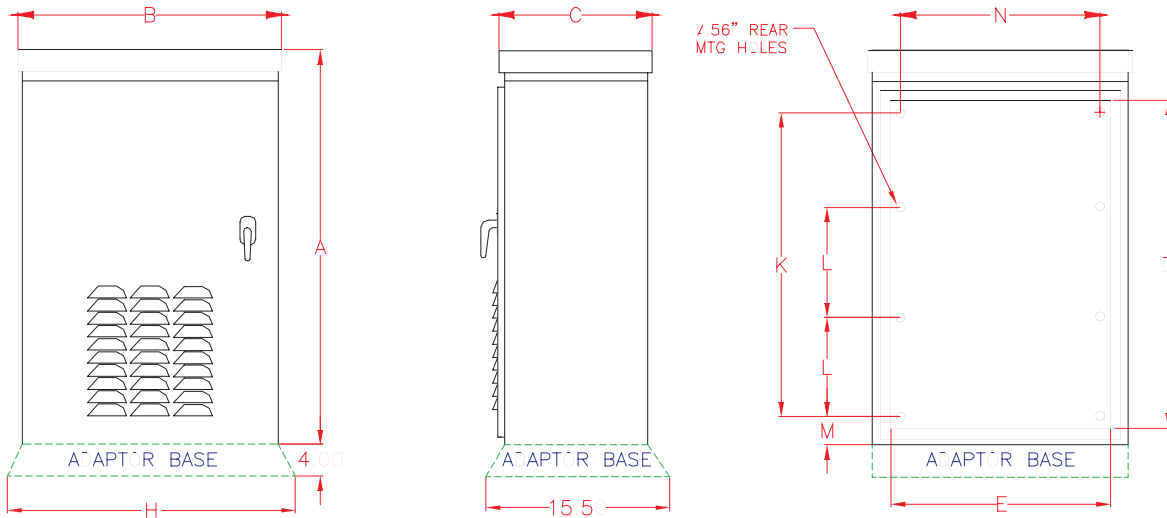
Where POWER is a way of life

CLARY
The Continuous Power Company™

**SIGNAL
POWER**™

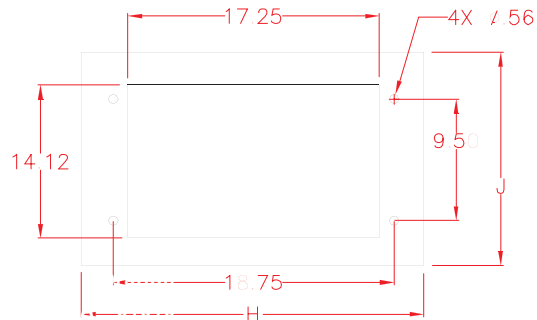


SP Series BBS Cabinet Specifications



ENCLOSURE BOTTOM

PAD MOUNTING PATTERN
(W/O ADAPTOR BASE)



ADAPTOR BASE BOTTOM

PAD MOUNTING PATTERN
(WITH ADAPTOR BASE)

Enclosure Type	EXTERIOR			Opening		Pad Mounting Pattern				Rear Mounting Pattern				Holes Qty
	A	B	C	D	E	F	G	H	J	K	L	M	N	
Style 1	42"	15"	14.5"	36.5"	12.75"	10"	11"	C.F.	C.F.	32"	16"	6"	12"	6
Style 2	48"	22"	10"	44.25"	19.75"	19"	6"	21.75"	15.5"	36"	12"	6"	19"	8
Style 3	42"	24"	14"	36.5"	21.75"	21"	10"	25.75"	15.5"	33"	11"	6"	21"	8
BBS Service Pedestal	C.F.	C.F.	C.F.	C.F.	C.F.	C.F.	C.F.	C.F.	C.F.	C.F.	C.F.	C.F.	C.F.	C.F.

C.F. = Consult Factory

NOTE:
Style 1 & 2 are cabinets for batteries ONLY
Style 3 cabinets contain UPS and batteries

Where POWER is a way of life



Clary Corporation
150 E Huntington Drive • Monrovia, CA • 91016
Tel: 800.442.5279 • Fax: 626.305.0254 • www.clary.com

Proudly Made in America

P/N 520-12136
2/2010 v1.2